



European Union
Regional Development Fund



Investing in your future

Vesimentor

PLASTIC PRODUCTS

CABLE MANHOLE KKS3 Class A



KKS3, the modern connection manhole for communications routes is an innovative replacement product for outdated concrete manholes.

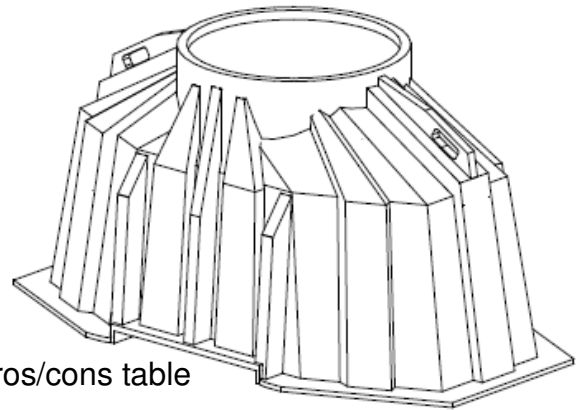
Cable manhole KKS3 is designed for use at high loads and is suitable for installation under the roadway. KKS3 (class A) meets technical requirements and have certification of class D400.

The KKS3 (class A) half-size manhole is:

made of: polyethylene (PE) using rotational moulding technology
 areas of use: cable and communications manholes, ground source heat manholes
 weight: 60 kg + accessories
 accessories: plastic and cast iron covers (road D400), penetration sleeves
 useful information: for 100 mm penetration sleeve use 108 mm milling cutter;
 for 50 mm penetration sleeve use 60 mm milling cutter

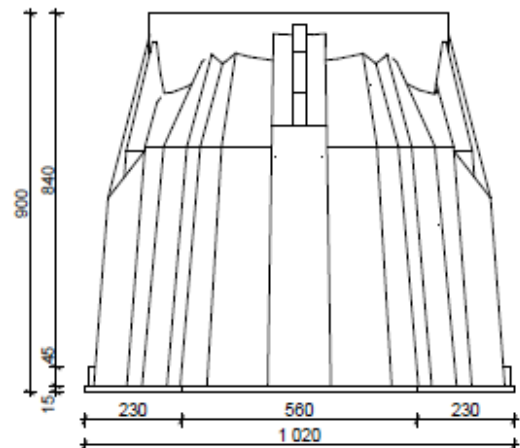
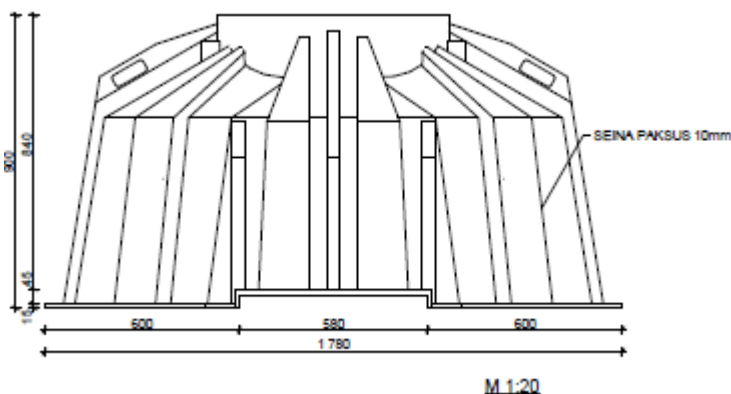
Components include:

- body of the manhole
- telescope
- 2 penetration sleeves



In addition see:

- KKS3 installation guide
- concrete manhole *versus* PE manhole pros/cons table
- technical drawing
- certificates
- www.vesimentor.ee



OÜ Vesimentor
 Mörra 2b
 80010 Pärnu, ESTONIA
www.vesimentor.ee

TEL: +372 5687 4999
 FAX: + 372 4470 072
 E-mail: sales@vesimentor.ee
 VAT: EE100081893

IBAN: EE 761010902000605001
 BIC/SWIFT: EEUH22X
 Bank: SEB
 ESTONIA VAT: EE100081893



AQAP 2110:2009